

Wall-mounted basin mixer without pop-up waste

36 707 892



- 160 mm projection
- fixed spout
- circular, air-enriched flow
- hole diameter valve 40 mm
- hole diameter spout 40 mm
- rosettes Ø 55 mm
- max. flow 7 l/min
- lead-free
- WRAS: 2107049

	Chrome	36 707 892-00
	Brushed Platinum	36 707 892-06
	Platinum	36 707 892-08
	Matte White	36 707 892-10
	Dark Chrome	36 707 892-19
	Brushed Durabronze (23kt Gold)	36 707 892-28
	Matte Black	36 707 892-33
	Brushed Champagne (22kt Gold)	36 707 892-46
	Champagne (22kt Gold)	36 707 892-47
	Brushed Chrome	36 707 892-93
	Brushed Dark Platinum	36 707 892-99

Required miscellaneous

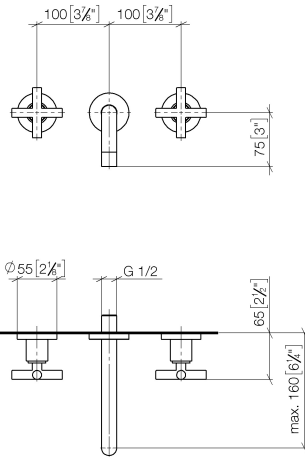


- Concealed wall-mounted mixer** 35 700 970 90
Centred spout
- min. recess depth 70 mm
 - max. recess depth 135 mm

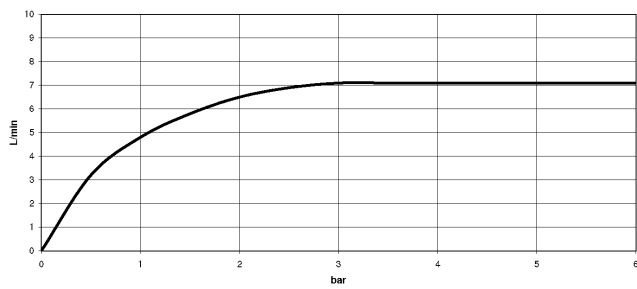
Wall-mounted basin mixer without pop-up waste

36 707 892

mm [inches]

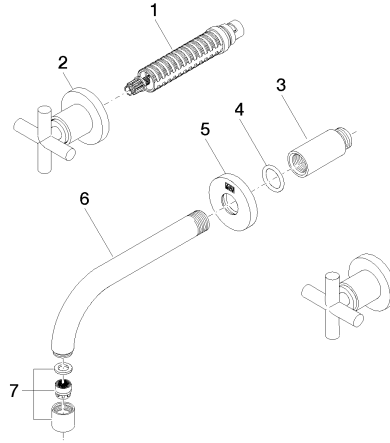


Flow rate chart



Wall-mounted basin mixer without pop-up waste

36 707 892

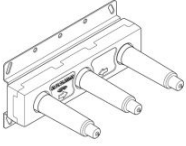


Spare parts list

No.	Item Number	Name	Quantity used	Delivery time
1	90 90 03 157 00 90	top	2	2
2	36 310 892-00	connection	2	10
3	09 24 03 081 10 90	extension	1	2
4	09 14 10 026 90	seal	1	2
5	09 27 22 503-00	rosette	1	10
6	04 28 22 089 10-00	spout	1	10
7	90 23 01 019 00-00	aerator	1	10


Concealed wall-mounted mixer Centred spout

#Error



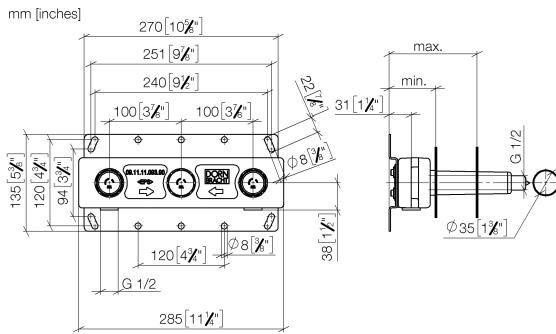
- 3x dust cover
- 2x female thread 1/2" connections
- 1x female thread 1/2" outlet
- 3x sealing plug 1/2"
- gauge 100 mm
- lead-free

Required miscellaneous

- | | |
|--|---|
|  | Drybox Concealed thermostat XS-08 7789 |
| | • Overflow is part of the scope of delivery. |

Concealed wall-mounted mixer Centred spout

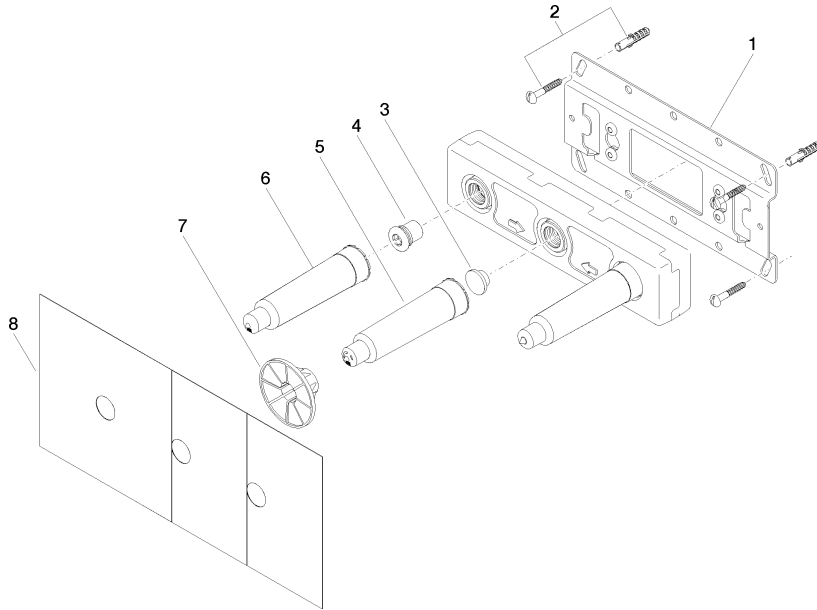
#Error



		min	max
36xxx361-FF	Madison	85 [3 3/8"]	145 [5 5/8"]
36xxx809/819-FF	Vaia	85 [3 3/8"]	145 [5 5/8"]
36xxx882/892-FF	Tara	85 [3 3/8"]	145 [5 5/8"]
36xxx811-FF	CYO	85 [3 3/8"]	145 [5 5/8"]
36xxx705-FF	CL. 1	110 [4 3/8"]	150 [5 7/8"]
36xxx782-FF	MEM	110 [4 3/8"]	150 [5 7/8"]

Concealed wall-mounted mixer Centred spout

#Error



Spare parts list

No.	Item Number	Name	Quantity used	Delivery time
1	04 17 20 251 00 90	base	1	60
2	04 30 31 024 01 90	fixing set	2	2
3	09 31 20 092 90	plug	1	2
4	04 31 20 037 00 90	plug	2	2
5	09 21 02 173 90	cap	1	2
6	04 21 02 173 01 90	cap	2	60
7	90 23 01 174 00 90	sleeve	1	2
8	04 14 03 072 00 90	gasket kit	3	2